

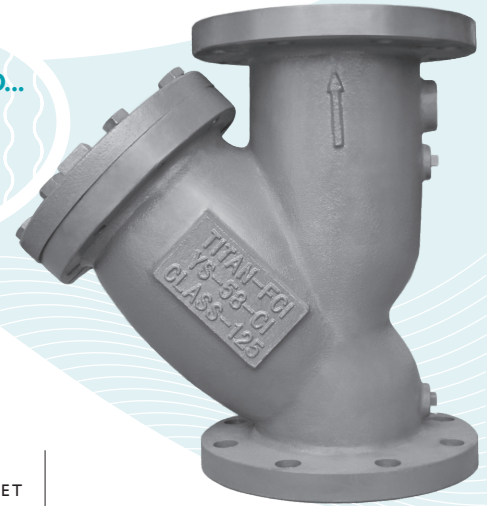


"Y" (WYE) STRAINER ♦ ANSI CLASS 125 CAST IRON ♦ FLANGED ENDS, FLAT FACE

NEWLY DESIGNED... Gauge Taps

STANDARD ON ALL
YS 58-CI MODELS IN
SIZES 2" ~ 20"

MODELS: YS 58-CI
(CAST IRON)



Lead Free,
Cast Iron Body

FEATURES

SIZE RANGE : 2" ~ 24"

- ♦ **NEW DESIGN WITH GAUGE TAPS**
TITAN'S YS58 HAS CONVENIENT GAUGE TAPS FURNISHED WITH A PLUG ON BOTH THE INLET AND OUTLET SIDES OF SIZES 2" THROUGH 20". THESE TAPS ALLOW FOR EASY INSTALLATION OF PRESSURE GAUGES TO MONITOR DIFFERENTIAL PRESSURE AND DETERMINE WHEN SCREEN CLEANING IS NECESSARY. ADDITIONALLY, SIZES 2" THROUGH 6" HAVE AN EXTRA BOSS FOR CUSTOM GAUGE TAPPING.
- ♦ **LARGE STRAINING CAPACITY**
WITH ITS LARGE BODY AND SIZABLE STRAINING ELEMENT, THE YS58 PROVIDES EXCELLENT OPEN AREA RATIOS THAT ARE TYPICALLY TWO-AND-A-HALF TIMES LARGER THAN THE CORRESPONDING PIPELINE.
- ♦ **PRECISION MACHINED SEATS**
PRECISION MACHINED SCREEN SEATS IN BOTH THE BODY AND CAP HELP TO ENSURE ACCURATE POSITIONING OF THE SCREEN DURING REASSEMBLY AFTER CLEANING. ALSO, THE MACHINED BODY SEATS ENABLE FINER FILTRATION BY PREVENTING DEBRIS BYPASS.
- ♦ **SELF-CLEANING CAPABILITY**
WITH A TAPPED NPT BLOW-OFF CONNECTION, THIS UNIT CAN BE FITTED WITH A BLOW-DOWN VALVE WHICH FACILITATES CLEANING OF THE STRAINING ELEMENT. PLEASE CONTACT FACTORY FOR MORE INFORMATION.
- ♦ **EPOXY PAINTED**
ALL UNITS ARE EPOXY PAINTED TO HELP RESIST RUST AND CORROSION.
- ♦ **POTABLE WATER/FDA APPROVED COATINGS AVAILABLE**
IN ADDITION TO ITS LEAD FREE, CAST IRON BODY, TITAN CAN PROVIDE NSF/ANSI AND FDA APPROVED EPOXY COATINGS WHICH MAKE THIS PRODUCT SUITABLE FOR POTABLE WATER AND FOOD CONTACT APPLICATIONS. NUMEROUS OPTIONS ARE AVAILABLE. PLEASE CONTACT US FOR MORE DETAILS.
- ♦ **OPTIONAL COVER DESIGNS**
TITAN'S YS58 IS AVAILABLE WITH DIFFERENT COVER OPTIONS INCLUDING SWING, CLAMP, AND HINGE TYPE COVERS. PLEASE CONSULT FACTORY FOR MORE INFORMATION ON THESE OPTIONS.

TECHNICAL

PRESSURE/ TEMPERATURE RATING
CI- ASTM A126 GR. B - CLASS 125
SIZES 2" ~ 12"

WOG (Non-shock): 200 PSI @ 150 °F

PRESSURE/ TEMPERATURE RATING
CI- ASTM A126 GR. B - CLASS 125
SIZES 14" ~ 24"

WOG (Non-shock): 150 PSI @ 150 °F

- The above listed temperatures are theoretical and may vary during actual operating conditions.

APPLICATIONS

GENERAL APPLICATION: Y-STRAINERS ARE INSTALLED IN A PIPING SYSTEM TO REMOVE UNWANTED DEBRIS FROM THE PIPELINE, PROTECTING EXPENSIVE EQUIPMENT DOWNSTREAM SUCH AS PUMPS, METERS, SPRAY NOZZLES, COMPRESSORS, AND TURBINES. THEY CAN BE PLACED IN A HORIZONTAL OR VERTICAL PIPELINE AS LONG AS THE SCREEN IS IN A DOWNWARD POSITION. STRAINING IS ACCOMPLISHED VIA AN INTERNAL PERFORATED OR MESH LINED STRAINING ELEMENT, THE SIZE OF WHICH SHOULD BE DETERMINED BASED ON THE SIZE OF THE SMALLEST PARTICLE TO BE REMOVED.

SERVICING: THE STRAINING ELEMENT NEEDS REGULAR CLEANING TO PREVENT DEBRIS BUILD UP. IT IS NOT ADVISABLE TO ALLOW THE DIFFERENTIAL PRESSURE TO INCREASE BY 20 PSI. ALTHOUGH CLEANING NORMALLY REQUIRES THE REMOVAL OF THE STRAINING ELEMENT, INSTALLING AND USING A TITAN BLOW-OFF DRAIN VALVE CAN INCREASE THE TIME BETWEEN CLEANINGS.

The above data represents common market and service applications. No representation or guarantee, expressed or implied, is given due to the numerous variations of concentrations, temperatures and flow conditions that may occur during actual service.

TITAN FLOW CONTROL, INC.
YOUR PIPELINE TO THE FUTURE!

Tel: 910-735-0000 ♦ Fax: 910-738-3848 ♦ titan@titanfci.com ♦ www.titanfci.com
290 Corporate Drive ♦ PO Box 7408 ♦ Lumberton, NC 28358



TITAN FLOW CONTROL, Inc.

290 Corporate Drive
Lumberton, NC 28358
Tel: 910.735.0000

E-mail: titan@titanfci.com
Web: www.titanfci.com
Fax: 910.738.3848

"Y" (WYE) STRAINER

YS 58-CI - (Cast Iron)

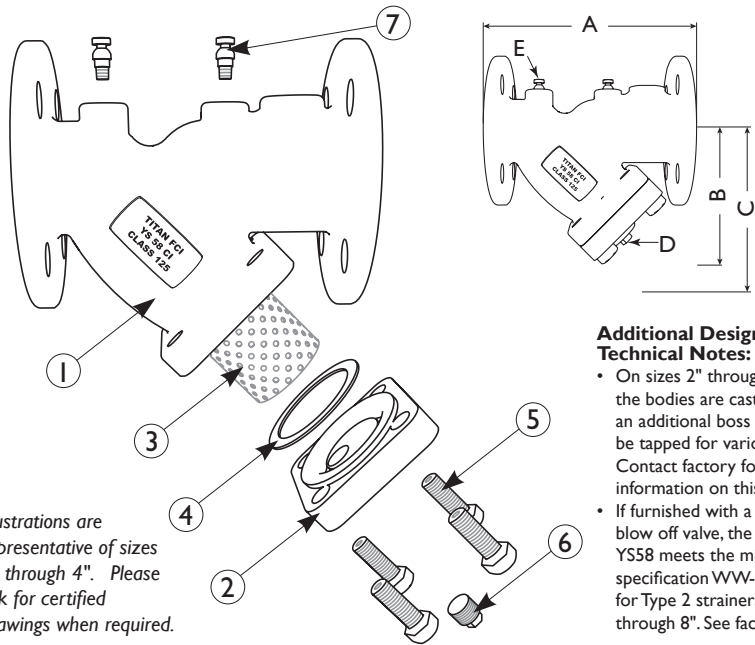
Flanged Ends • Flat Face • Cast Iron

ANSI Class
125

BILL OF MATERIALS (1)

| No. | PART | YS 58-CI |
|-----|-------------------------------|---|
| 1 | Body | Cast Iron A126 Gr. B |
| 2 | Cover | Cast Iron A126 Gr. B |
| 3 | Straining Element (2) | Stainless Steel |
| 4 | Gasket (2) | Non-Asbestos Gasket, Garlock 3000 or Equal |
| 5 | Cap Screws | Steel |
| 6 | NPT Plug (Blow-off) | Carbon Steel |
| 7 | NPT Plugs (Gauge Taps) (3) | Carbon Steel |

1. Bill of Materials represents standard materials. Equivalent or better materials may be substituted at the manufacturer's discretion.
2. Denotes recommended spare parts.
3. Gauge taps and NPT Plugs (Part #7) are standard only on sizes 2" through 20". See Dimensions and Performance Data for the standard NPT sizes.



Illustrations are representative of sizes 2" through 4". Please ask for certified drawings when required.

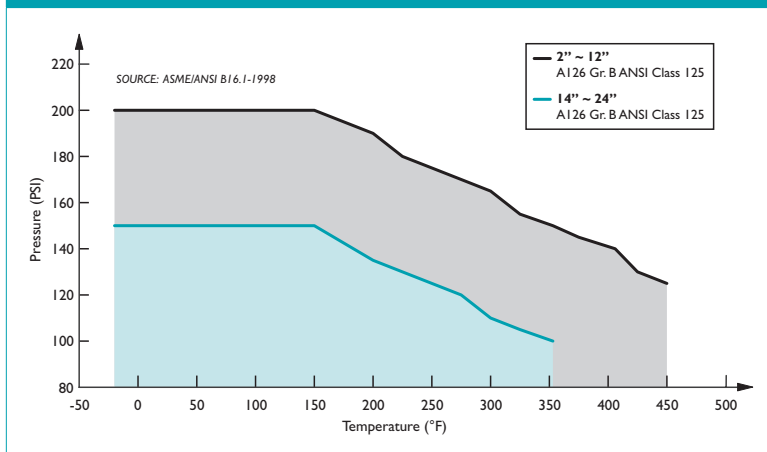
- Additional Design and Technical Notes:**
- On sizes 2" through 6", the bodies are cast with an additional boss that can be tapped for various sizes. Contact factory for more information on this option.
 - If furnished with a bronze blow off valve, the YS58 meets the military specification WVV-S-2739 for Type 2 strainers, sizes 2" through 8". See factory.

DIMENSIONS AND PERFORMANCE DATA (1)

| SIZE | in | 2 | 2 1/2 | 3 | 4 | 5 | 6 | 8 | 10 | 12 | 14 | 16 | 18 | 20 | 24 |
|--|----------------|-------|-------|--------|-------|-------|-------|--------|-------|-------|-------|--------|--------|--------|--------|
| | mm | 50 | 65 | 80 | 100 | 125 | 150 | 200 | 250 | 300 | 350 | 400 | 450 | 500 | 600 |
| A DIMENSION FACE TO FACE (FLAT FACE) (2) | in | 7.875 | 10.0 | 10.125 | 12.12 | 15.62 | 18.5 | 21.625 | 25.75 | 29.87 | 33.25 | 38.75 | 43.125 | 49.5 | 58.375 |
| | mm | 200 | 254 | 256 | 308 | 397 | 470 | 550 | 655 | 759 | 845 | 984 | 1095 | 1257 | 1483 |
| B DIMENSION CENTER LINE TO BOTTOM | in | 5.25 | 6.50 | 7.0 | 8.25 | 11.25 | 13.5 | 15.5 | 18.5 | 21.75 | 25.0 | 26.5 | 31.0 | 39.0 | 45.0 |
| | mm | 133 | 166 | 178 | 210 | 286 | 343 | 394 | 470 | 553 | 625 | 673 | 787 | 991 | 1143 |
| C DIMENSION SCREEN REMOVAL | in | 7.0 | 9.75 | 10.0 | 12.0 | 20.0 | 20.0 | 22.75 | 28.0 | 30.0 | 36.5 | 42.0 | 45.5 | 56.0 | 68.0 |
| | mm | 178 | 248 | 254 | 305 | 508 | 508 | 578 | 712 | 762 | 927 | 1067 | 1156 | 1422 | 1727 |
| D NPT Plug BLOW-OFF | in | 1/2 | 1 | 1 | 1 1/2 | 2 | 2 | 2 | 2 | 2 | 2 | 2 | 2 | 2 | 2 |
| | mm | 15 | 25 | 25 | 40 | 50 | 50 | 50 | 50 | 50 | 50 | 50 | 50 | 50 | 50 |
| E NPT Plug GAUGE TAPS | in | 1/4 | 1/4 | 1/4 | 1/4 | 1/4 | 1/4 | 1/4 | 1/4 | 1/4 | 1/4 | 1/4 | 1/4 | 1/4 | n/a |
| | mm | 8 | 8 | 8 | 8 | 8 | 8 | 8 | 8 | 8 | 8 | 8 | 8 | 8 | n/a |
| APPROXIMATE ASSEMBLED WEIGHT | lb | 20.0 | 33.0 | 34.0 | 60.0 | 105.0 | 130.0 | 236.0 | 338.0 | 554.0 | 828.0 | 1130.0 | 1692.0 | 1888.0 | 3000.0 |
| | kg | 9.1 | 15.0 | 15.4 | 27.2 | 47.6 | 59.0 | 107.1 | 153.3 | 259.3 | 375.6 | 512.6 | 767.5 | 856.4 | 1360.8 |
| Flow Coefficient | C _v | 70 | 110 | 160 | 260 | 400 | 570 | 950 | 1600 | 2200 | 3300 | 4900 | 6100 | 8000 | 11000 |

1. Dimensions and weights are for reference only. When required, request certified drawings.
2. Face to face values have a tolerance of ±0.06 in (±2.0 mm) for sizes 10" and lower and a tolerance of ±0.12 in (±3.0 mm) for sizes 12" and larger.

PRESSURE - TEMPERATURE RATINGS (1)



1. This chart displays the pressure-temperature ratings for the valve's body per ASME B16.1-1998.

Titan FCI makes every effort to ensure the information presented on our literature accurately reflects exact product specifications. However, as product changes occur, there may be short-term differences between actual product specifications and the information contained within our literature. Titan FCI reserves the right to make design and specification changes to improve our products without prior notification. When required, request certified drawings.

PRESSURE - TEMPERATURE RATING

| A126 Gr. B | 2" ~ 12" | 14" ~ 24" |
|------------------|------------------|------------------|
| WOG (Non-shock): | 200 PSI @ 150 °F | 150 PSI @ 150 °F |

STANDARD SCREEN SELECTIONS

| Size | Liquid | Open Area | Steam | Open Area |
|---------------|--------------|-----------|---------------|-----------|
| 2" ~ 4" | 1/16 (.0625) | 41% | 3/64 (.045) | 36% |
| 5" ~ 8" | 1/8 (.125) | 40% | 3/64 (.045) | 36% |
| 10" ~ 16" (1) | 1/8 (.125) | 40% | 30 Mesh Lined | 44.8% |

1. Please consult factory for screen selections on 18" and larger YS 58-CI models.

REFERENCED STANDARDS & CODES

| CODE | DESCRIPTION |
|-----------------|---|
| ASME/ANSI B16.1 | Cast Iron Pipe Flanges and Flanged Fittings |