

# Model: 690

## Marine Bronze Duplex Strainer Size: 3"

Pressure / Temperature – Non-Shock	
<b>Model</b>	<b>CWP</b>
690	50psi @ 150°F 3.4bar @ 66°C

Not recommended for steam applications.

**690 Bronze                      Class 125**



Model 690

Strainers provide positive and inexpensive protection for costly pumps, meters, valves, and other similar mechanical equipment by straining foreign matter from the connected piping system. Installation of a strainer before mechanical equipment can ensure trouble free service and avoid costly shutdowns for repair or replacement of equipment damaged by foreign matter. The size of the perforation or mesh in the basket screen will determine the smallest particles captured. See Strainer Information section of the Mueller Steam Specialty Engineering binder for detailed information including sizes and materials available.

### Typical Service

- As with all duplex strainers, these are used where flow cannot be shut down for basket cleaning.
- These sight glass duplex strainers are typically used in engine cooling water systems in seawater and heat exchanger applications.
- When supplied with fine mesh lined baskets, they can be used to clarify potable water supplies.

### Features

- Clear acrylic basket chambers allow direct visual inspection of the fluid flow and basket condition.
- Flow diversion is accomplished by a single tapered plug diverter that moves 90°, thereby opening one chamber while closing the other.
- Sight glass chambers and baskets are accessed for easy cleaning, inspection, and replacement by removal of two wing nuts.

### Construction

- All body parts are heavy castings.
- Covers are bolted, clamped covers are available (limited to 150psig, 100°F)

### Baskets

MODEL	SIZES	STANDARD (WATER)	
		MATERIAL	OPENING
690	3"	Monel	.062 perf

Job Name \_\_\_\_\_

Job Location \_\_\_\_\_

Engineer \_\_\_\_\_

Approval \_\_\_\_\_

Contractor \_\_\_\_\_

Approval \_\_\_\_\_

Contractor's P.O. No. \_\_\_\_\_

Representative \_\_\_\_\_

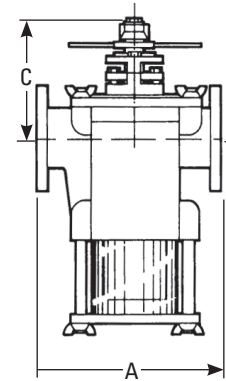
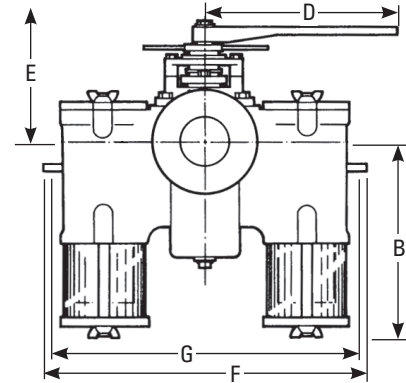
## Material

690	
Body and Plug Covers	ASTM B-62 Bronze
Sight Glass Chambers	Acrylic Plastic
Cap Screws	Silicon Bronze
Baskets	Monel
Seals	Buna-N
Stem Packing	PTFE

## Dimensions and Weights

SIZE		DIMENSIONS								WEIGHT							
		A		B		C		D		E Screen Removal		F		G			
in.	mm	in.	mm	in.	mm	in.	mm	in.	mm	in.	mm	in.	mm	in.	mm	lbs.	kgs.
3	80	11 <sup>1</sup> / <sub>16</sub>	281	12 <sup>1</sup> / <sub>2</sub>	318	19 <sup>1</sup> / <sub>2</sub>	495	12	305	15 <sup>7</sup> / <sub>8</sub>	403	20 <sup>5</sup> / <sub>8</sub>	524	19 <sup>1</sup> / <sub>2</sub>	495	155	70.4

Apply For Certified Drawings.



Model 690

Mueller Steam Specialty product specifications in U.S. customary units and metric are approximate and are provided for reference only. For precise measurements, please contact Mueller Steam Specialty Technical Service. Mueller Steam Specialty reserves the right to change or modify product design, construction, specifications, or materials without prior notice and without incurring any obligation to make such changes and modifications on Mueller Steam Specialty products previously or subsequently sold.



A Watts Water Technologies Company

USA: St. Pauls, NC • Tel. 1-800-334-6259 • Fax 1-800-421-6772 • [www.muellersteam.com](http://www.muellersteam.com)

ES-MS-690 1020



ISO 9001-2008  
CERTIFIED

© 2010 Mueller Steam Specialty